

Bubba's Pit Stop Challenge

Packing List

<u>DESCRIPTION</u>	<u>QUANTITY</u>
PIPE A — 44.5" (SWEDGED)	8
PIPE B — 41.5" (UNSWEDGED)	4
PIPE C — 36" (W/PLASTIC CAP)	4
PIPE D — 23"	2
PIPE E — 16.5" (WITH "TEE" & "CROSS" FITTINGS ATTACHED)	2
"FOUR-WAY" FITTINGS	2
"ELBOW" FITTINGS	2
"TEE" FITTINGS	2
HUBS	2
TIRES	4
LUG NUTS	12
EXTRA STUDS	4
TIRE IRONS	2
STOP WATCH	1
VINYL CANVAS	1
STAKES	4
CARRYING BAGS	2

TWISTER DISPLAY

P.O. BOX 2704 — EAST LIVERPOOL, OH 43920
PHONE (330) 386-1270 — FAX (330) 386-0418
ORDER DESK (800) 637-3656
EMAIL sales@twisterdisplay.com

Bubba's Pit Stop Challenge

Assembly Instructions

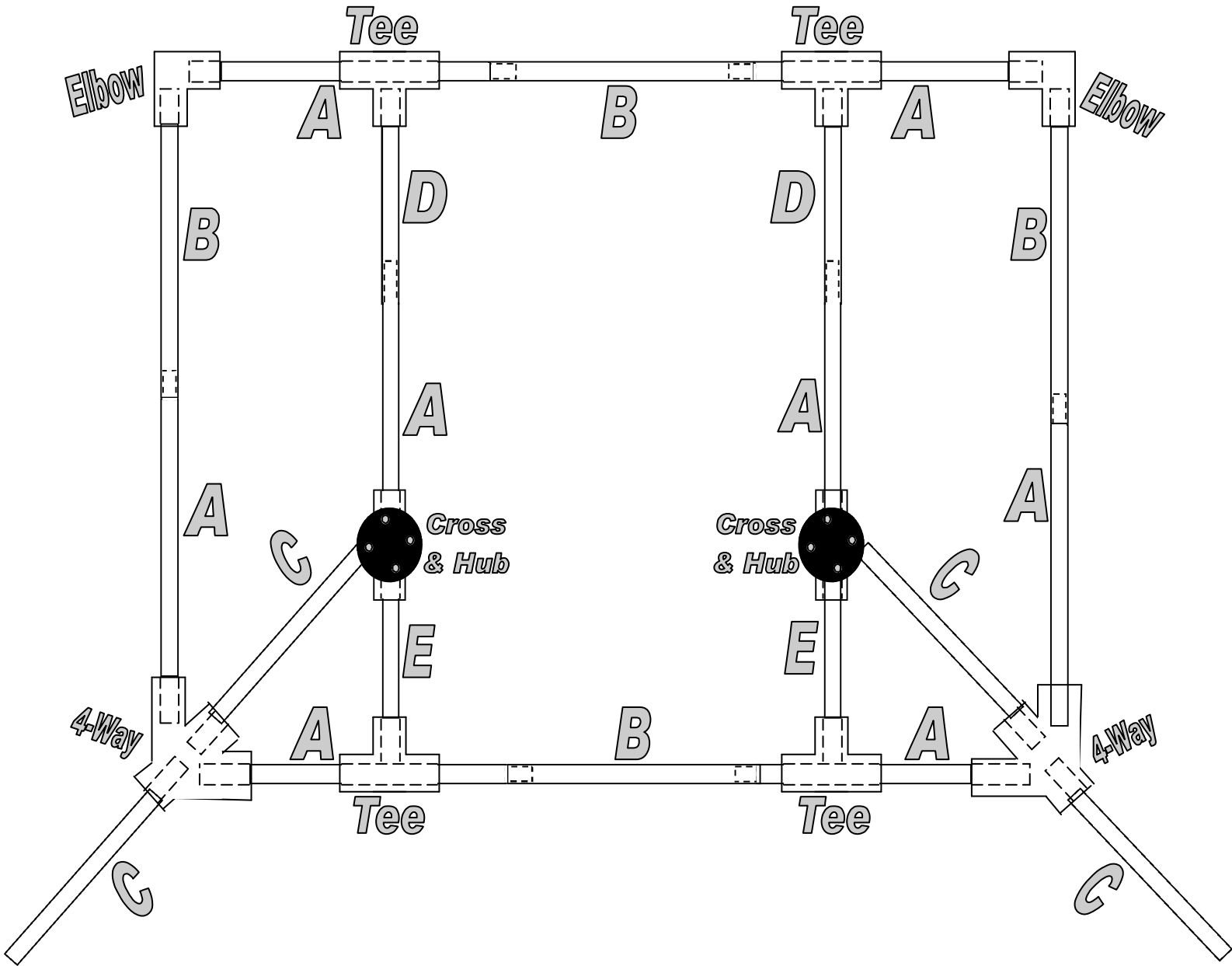
1. Select a level area to operate game with plenty of room to allow for a line to form. Keep a safe distance (at least fifteen feet clearance on all sides) between player and spectators.
2. Assemble framework, per sketch. (Be sure to tighten down the fittings using the small bolts on them.)
3. Attach canvas to the framework using the Velcro straps. (Keep the tee fittings loose so that the two center vertical lengths can be slid to the left or right in order to align the hubs with the holes in the canvas. Once they are aligned, then tighten the eyebolts.)
4. If using game outdoors, it is strongly suggested that you use the stakes provided on either side of the bottom supports. Use sandbags on pavement. And in a breeze, use sandbags with the stakes.
5. Place Air Compressor behind the game and run the hose under the canvas.
6. Hook up the Air Impact wrench to the hose
7. Turn on the Air Compressor

MAINTENANCE

1. **If game becomes wet, dry thoroughly before storing.**
2. **Fold the canvas *inward* to help protect and keep it clean.**
3. **Check the air compressor oil level regularly.**
2. **Add a few drops of Air Tool Oil to the each Air Impact Wrench before every use.**

🚩 Bubba's Pit Stop Challenge 🚩

Assembly Sketch



Pipes:

A — 44.5"(swedged)

B — 41.5"

C — 36"

D — 23"

E — 16.5"

Bubba's Pit Stop Challenge

Safety Instructions

1. If using game outdoors, it is strongly suggested that you use the stakes provided on either side of the bottom supports. Use sandbags on pavement. And in a breeze, use sandbags with the stakes.
2. **NEVER USE THE GAME IN STRONG WINDS OR LIGHTENING!!**
3. Use caution when setting up or taking down the game. Once the bolts are loosened the sections of tubing can come apart and fall down causing injury.
4. Be sure that there is plenty of clearance between the player and spectators.
5. Keep spectators clear from the sides and back of canvas and the air compressor.
6. **NEVER LEAVE GAME UNATTENDED.**



WARNING!



**DO NOT USE IN RAIN, WIND,
LIGHTENING, OR WET AREAS.**

Bubba's Pit Stop Challenge

Replacement Parts List

Canvas	\$450
Carrying Bag	\$65
<i>Elbow fitting</i>	\$10
<i>Four-way fitting</i>	\$15
<i>Cross fitting</i>	\$15
<i>Tee fitting</i>	\$15
Framework	\$300
Pipe A — 44.5"	\$8
Pipe B — 41.5"	\$8
Pipe C — 36"	\$8
Pipe D — 23.25"	\$8
Pipe E — 16.5" (WITH "TEE" & "CROSS" FITTINGS ATTACHED)	\$38
Stakes (set of 4)	\$5
Tire	\$55
Tire Iron	\$18
Hub	\$18
Lug Nuts	\$.75
Studs	\$1
Stop Watch	\$10

Visit our website at: www.twisterdisplay.com

TWISTER DISPLAY

P.O. BOX 2704 — EAST LIVERPOOL, OH 43920

PHONE (330) 386-1270 — FAX (330) 386-0418

ORDER DESK (800) 637-3656

EMAIL sales@twisterdisplay.com